



## GeoChaser ECO Quick Installation Guide

(Download the full manual [www.12trace.nl](http://www.12trace.nl))

**Important before installing this system: New users Must first create an account [www.12trace.nl](http://www.12trace.nl)**

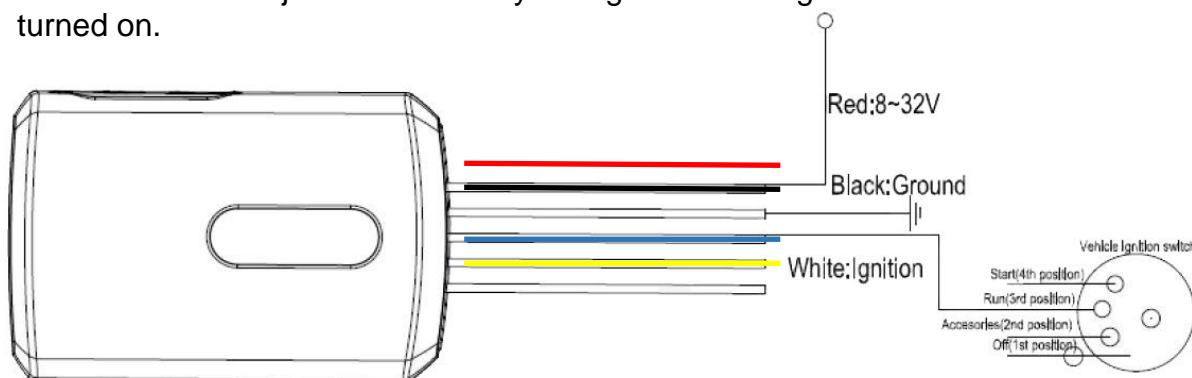
### Interface Definitities:

There are 5 wires in the cable of the GeoChaser Including the connection for the contact input, Digital input, digitale output. The definition is displayed In the following table.

Color	Description	Note
Red	Battery voltage	External power supply 8-32V
Black	Mass	Connect directly to vehicle frame or negative battery
White	Contact input	Connect to power supply connected by contact
Blue	Digital input	Digital input, (also for private / business switch optional)
Yellow	Digital output	Digital output 150 mA max, maximum switching voltage 12V DC

### Power supply and contact detection

The red wire is plus 12/24V and the black wire is the min or ground. The white wire is for contact detection. This detection is necessary for activating a ride and reduces energy consumption as soon as the vehicle is switched off. Connect the white wire to the contact or to a jack that has only voltage when the ignition switch of the vehicle is turned on.



### Placing your GeoChaser

For optimal operation of your GPS tracking system, it is important that the GeoChaser is NOT fully enclosed by metal or metal-retaining glass. This may seriously interfere with the operation of the system or even prevent it from occurring. In general, plastic and non-tinted glass are not a barrier to receiving a GPS signal. The GPS antenna is built into the GeoChaser at the top under status LEDs.

## LED status

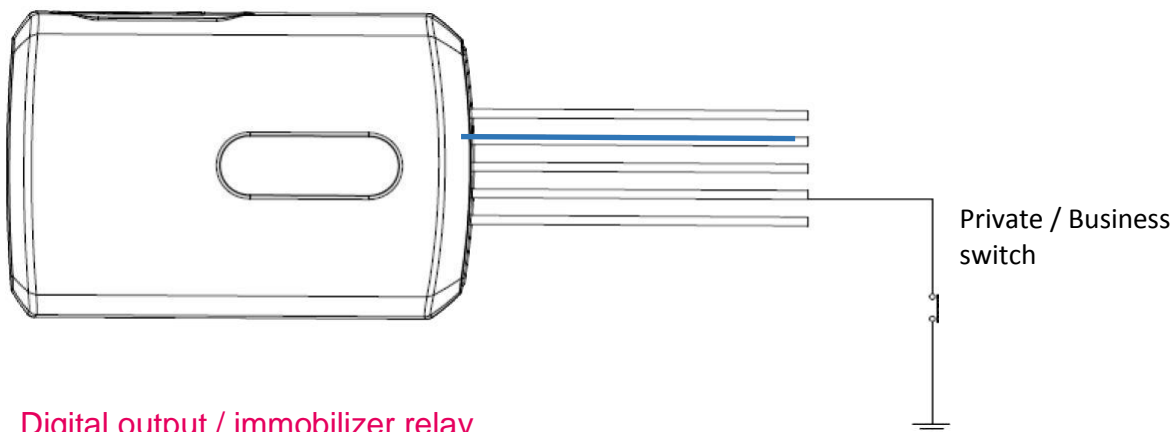
LED	led status	Device status
GSM	Flash fast	Network search
	Blink slowly	connected
GPS Gaaf uit na 30 minuten	off	GPS off
	Blink slowly	no data
	Flash fast	GPS search
	on	Position found
PWR Gaaf uit na 30 minuten	uit	No external power supply
	Blink slowly	Battery voltage low
	Flash fast	Charge battery
	on	accu charged

## Additional connections

### Digital Input

There is a general digital input, this thread is blue. This input is "active" when it is switched to the mass. This entry can be used e.g. Use for a panic button or float and to connect the optional private / business switch.

### Digital input



### Digital output / immobilizer relay

The digital output is available via the yellow wire. This output switches to mass, with a maximum current of 0.15A. Should a higher current be switched, it can be as shown in the following diagram with an external relay

